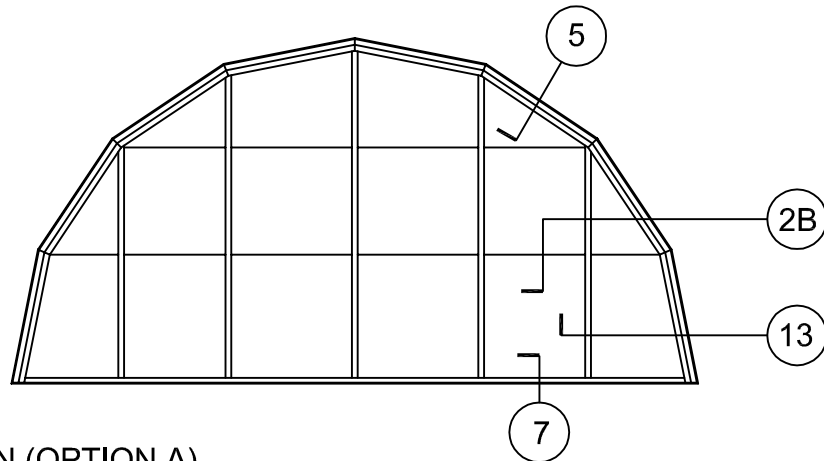
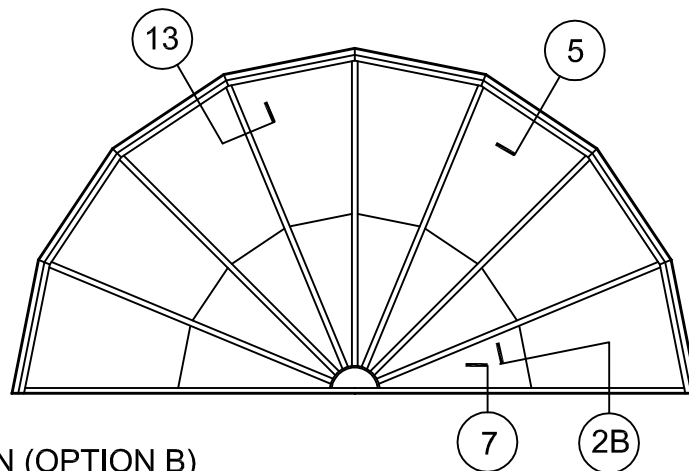


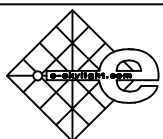
PLAN
N.T.S.



END ELEVATION (OPTION A)
N.T.S.



END ELEVATION (OPTION B)
N.T.S.



E-Skylight, Inc.
P.O. Box 830, Branford, CT 06405
866-624-3759 / (fax) 207-636-8004
www.e-skylight.com

SEGMENTED VAULT

SYSTEM 2000™

C7